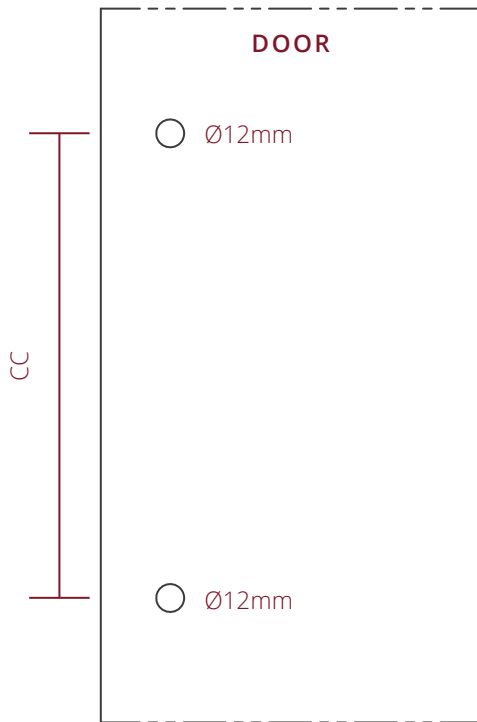
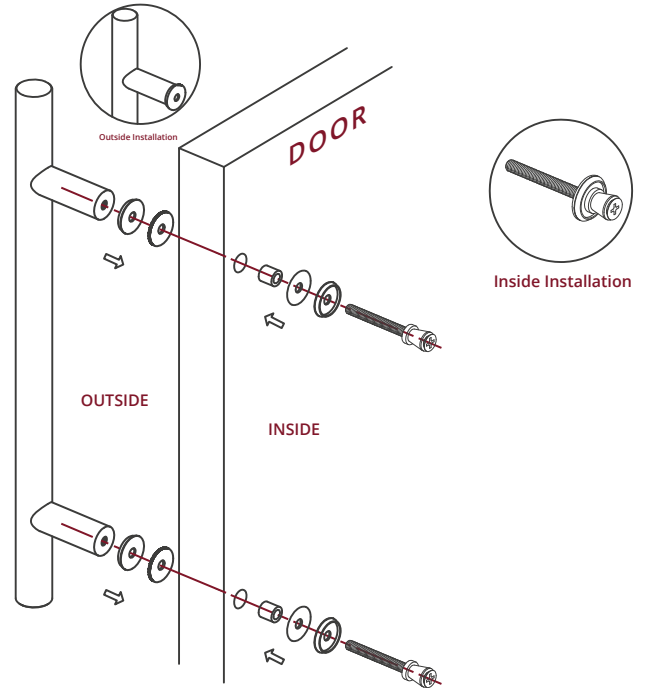


dēanta

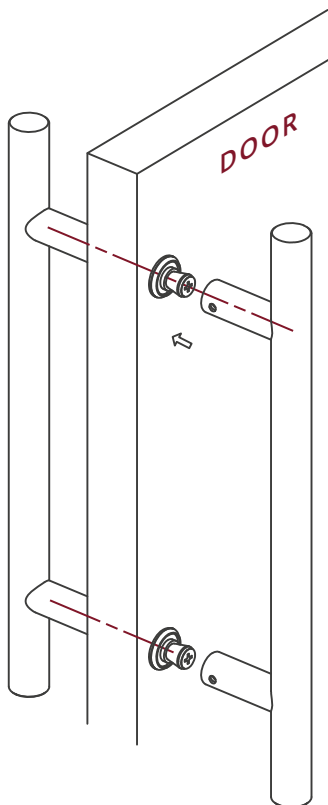
1. Prepare holes on door, CC is according to the CTC of pull handles.



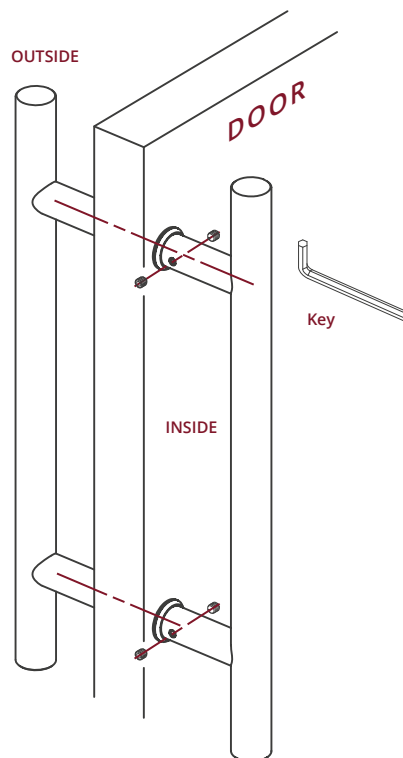
2. Fix accessories on door according to the drawing. The pull handle with the small hole is installed outside of the door, the pull handle with the big hole is installed inside.



3. The inside handles covers the machine screw parallelly according to the drawing.



4. Fix both sides of screw with key.



5. Try to push / pull the door and make sure the pull handle is securely fixed in place.

