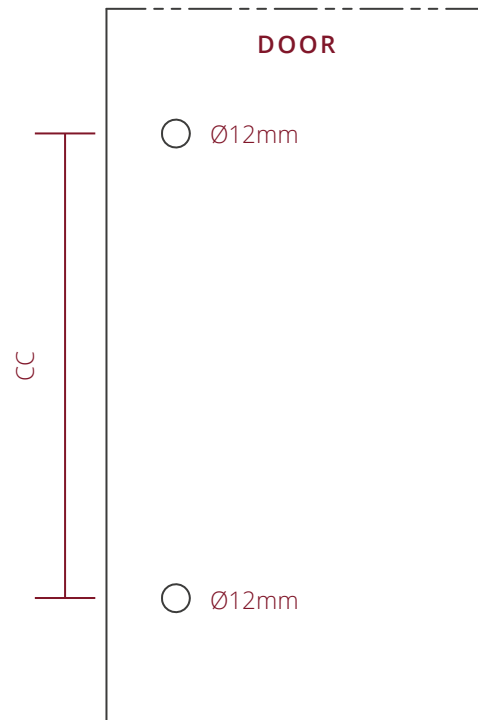
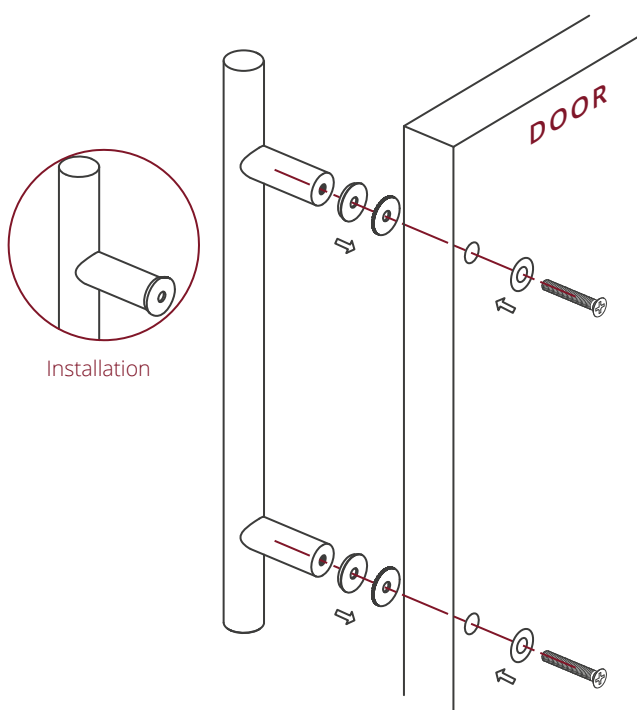


# dēanta

1. Prepare holes on door, CC is according to the CTC of pull handles.



2. Fix accessories on door according to the drawing.



3. Try to push / pull the door and make sure the pull handle is securely fixed in place.

